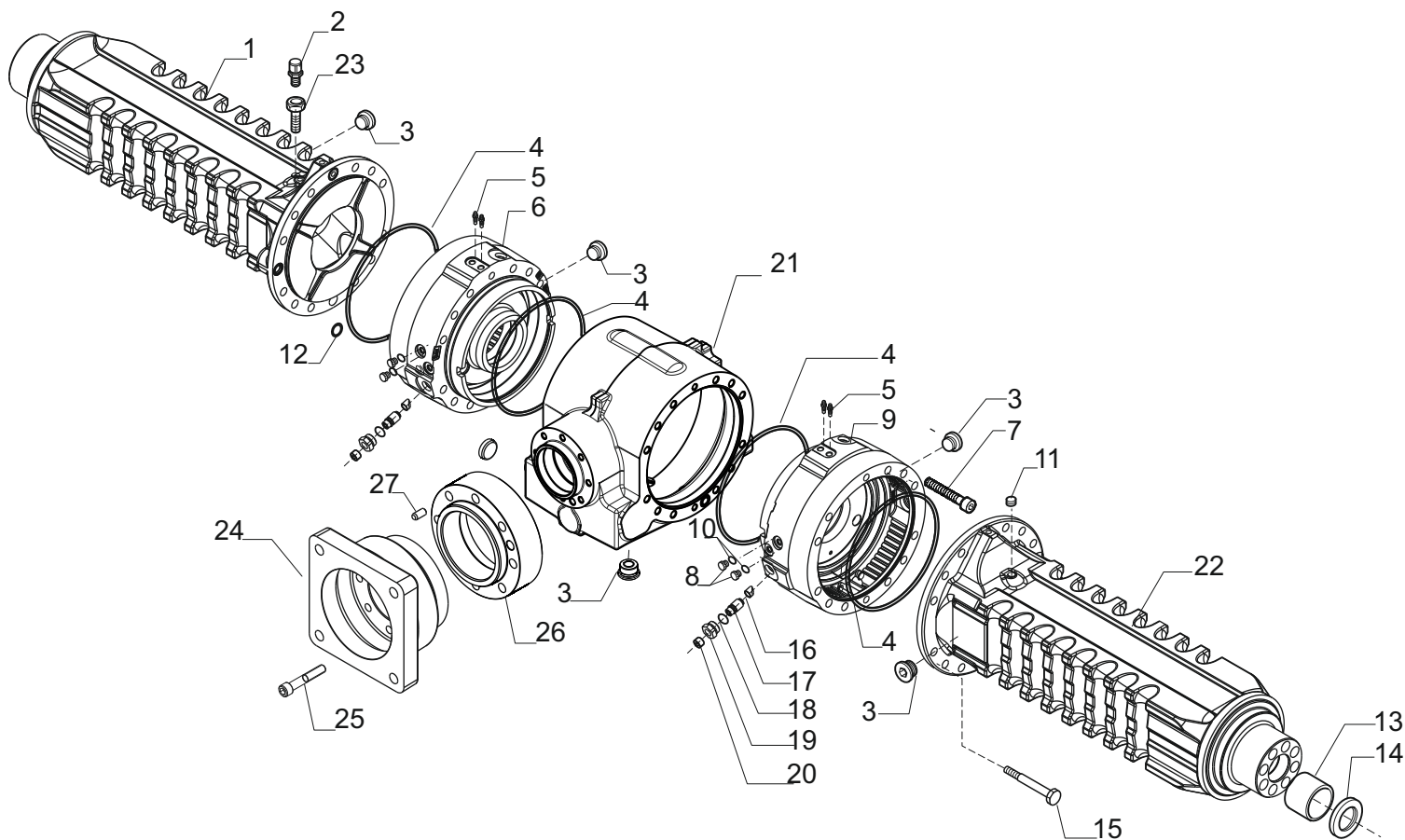




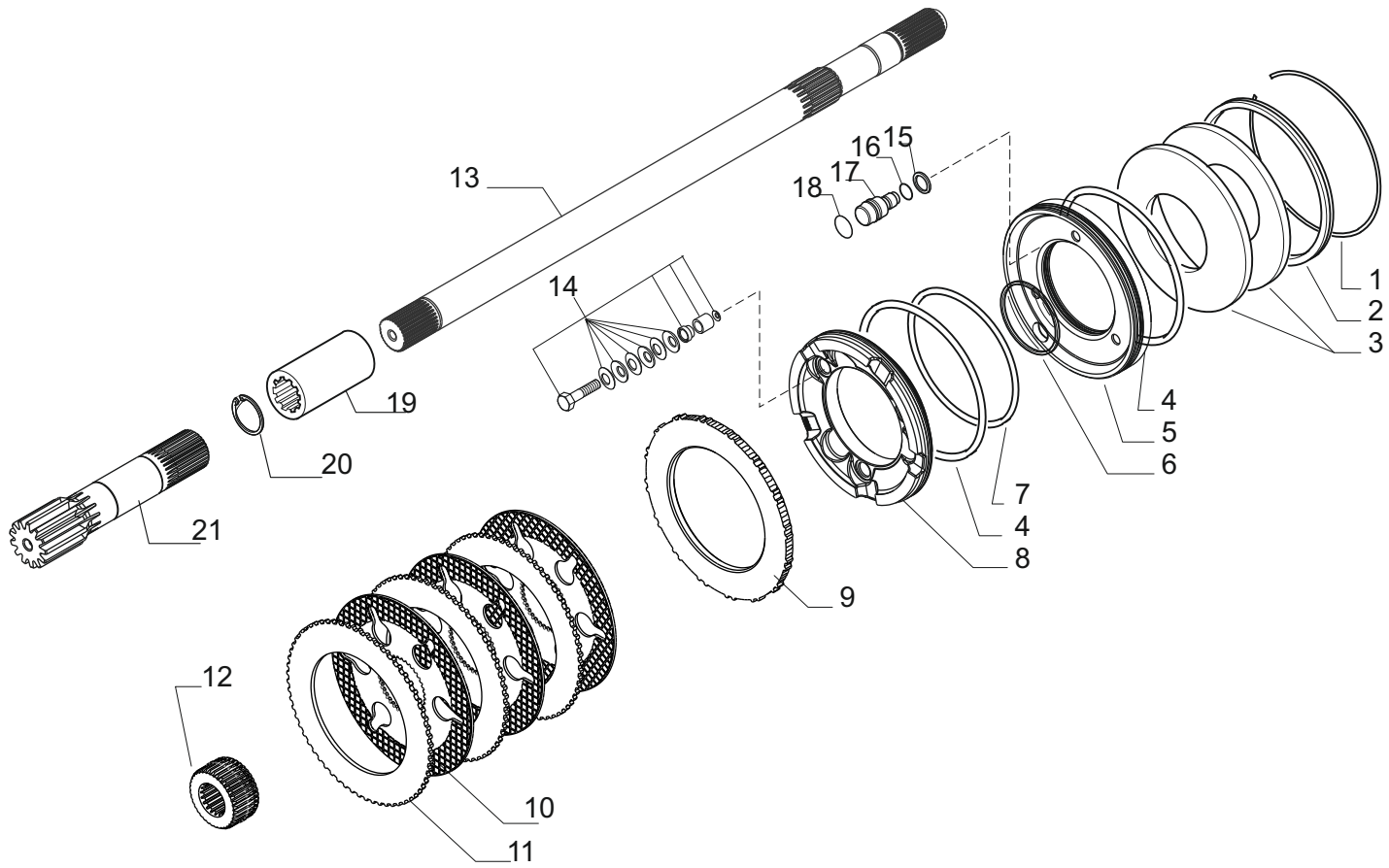
CARRARO DRIVETECH

Spare Parts List

28.43M ref 468857



Pos.	Ref.	Q.ty	Descrizione	Description	Kit	Note
1	455972	1	Tromba trave	Beam trumpet		
2	104988	1	Sfiato	Breather		
3	125280	5	Tappo M30x2	Plug M30x2		
4	28562	4	Anello OR	O.ring		
5	116792	4	Sfiato M10x1	Breather M10x1		
6	139816	1	Cilindro freno SX	Brake cylinder LH		
7	21314	4	Vite M12x130	Bolt M12x130		
8	21591	4	Tappo	Plug		
9	139815	1	Cilindro freno DX	Brake cylinder RH		
10	23260	4	Rondella	Washer		
11	21558	4	Tappo M10x1	Plug M10x1		
12	28500	2	Anello OR	O.ring		
13	131954	2	Bronzina	Bush		
14	25311	2	Anello tenuta	Seal ring		
15	21364	24	Vite M16x150	Bolt M16x150		
16	139955	6	Perno	Pin		
17	136152	6	Vite M16x1.5	Bolt M16x1.5		
18	28534	6	Anello OR	O.ring		
19	139922	6	Vite speciale M22x1.5	Special screw M22x1.5		
20	21567	6	Tappo M16x1.5	Plug M16x1.5		
21	482474	1	Corpo centrale	Central body		
22	455974	1	Tromba trave	Beam trumpet		
23	121618	1	Prolunga sfiato	Breather pipe		
24	440062	1	Flangia	Flange		
25	20909	8	Vite M12x70	Screw M12x70		
26	398910	1	Distanziale	Spacer		
27	118367	1	Spina	Pin		



Pos.	Ref.	Q.ty	Descrizione	Description	Kit	Note
1	135572	2	Anello	Ring		
2	428413	2	Manicotto	Sleeve		
3	428572	4	Molla tazza	Belleville washer		
4	141937	4	Anello OR	O.ring		
5	135965	2	Pistone freno neg.	Brake piston (neg.)		
6	141938	2	Anello OR	O.ring		
7	141939	2	Anello OR	O.ring		
8	135966	2	Pistone freno pos.	Brake piston (pos.)		
9	136644	2	Controdisco freno	Brake drive plate		
10	143874	6	Disco freno	Brake plate		
11	136155	6	Controdisco freno	Brake drive plate		
12	136648	2	Manicotto traino	Sleeve		
13	139629	2	Semiassse	Half-shaft		
14	66573	2	Kit self-adjust	Self-adjust kit		
15	24782	6	Anello seeger	Snap ring		
16	141936	6	Anello OR	O.ring		
17	145815	6	Perno di spinta	Pin		
18	141935	6	Anello OR	O.ring		
19	131299	2	Bussola	Bush		
20	24877	2	Anello seeger	Snap ring		
21	138735	2	Semiassse Z=13L220	Half-shaft with gear Z=13		

